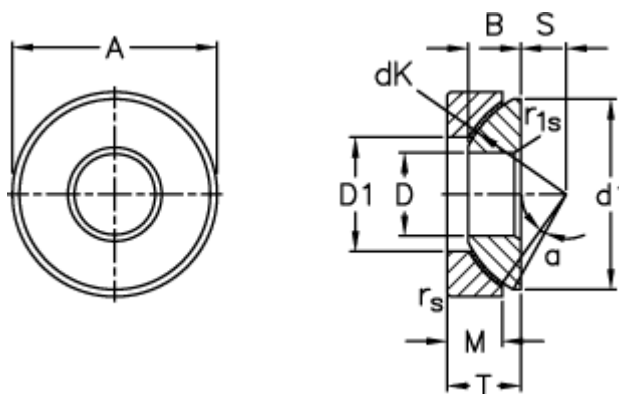


Article number: 03512050

Description: Fluro Rod end GE 50AW

Measures



A	= 130 0 -0,018	rs, r1s min	= 1
B	= 33	S	= 30
D	= 50 0 -0,012	Static axial load C0 (kN)	= 2600
d1 max	= 120	T	= 42,5 +0,25 -0,40
D1 min	= 70	Tilt angle	= 6
dK	= 139	Weight	= 3140
Dynamic axial load C (kN)	= 1300		
M	= 30.5		